

PX-13/23/34

Family of Piezoelectric Switches Installation Manual

November 2012

1. Introduction

Rosslare's PX-13/23/34 family of Piezoelectric buttons are heavy duty, non-sparking, non-magnetic, corrosion resistant, illuminated, anti-vandal, and designed for both indoor and harsh weather outdoor use.

The buttons feature solid state Piezoelectric Switch Technology generating a dry contact N.O. pulse at the touch of a finger, with no physical movement or moving parts.

The PX-13/23/34 series features a virtually unlimited lifespan of over 50 million uses, which is the ideal benefit of Piezoelectric technology. In addition, they are tested to be waterproof (IP68 rating) and work in harsh weather and environmental conditions.

Main Features:

- Virtual unlimited lifespan of over 50 million cycles
- Waterproof, rated IP-68
- Easy to install
- Seven optional body colors
- Two-colored LED control input (PX-23 and PX-34)

PX-13 – Piezoelectric Switch	PX-23 – Piezoelectric Switch with LED Indicator	PX-34 – Piezoelectric Toggle Switch with Controlled Light Ring
		

2. Technical Specifications

2.1 Electrical Characteristics

Model	PX-13	PX-23	PX-34
Switch Voltage	5–30 VDC/VAC		
Switch Current	1 A	1 A	100 mA
Power Supply Voltage	N/A	12 V	12 VDC
Contact Resistance	0.1 Ohm		16 Ohm
Impulse Time N.O.	> 50 ms		
Finger Pressure on Button	0.5 kg (17.6 oz) for 5 N		
Button Life	Over 50 million cycles		

2.2 Environmental Specifications

Model	PX-13	PX-23	PX-34
Operating Standard	Meets IP68		
Operating Environment	Outdoor use (waterproof)		
Operating Temperature	-30°C to 60°C (-22°F to 140°F)		
Storage Temperature	-30°C to 70°C (-22°F to 158°F)		
Operating Humidity	10% to 90%		

2.3 Physical Specifications

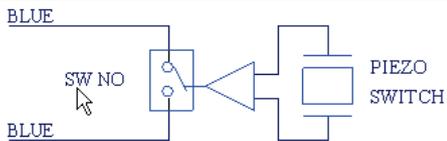
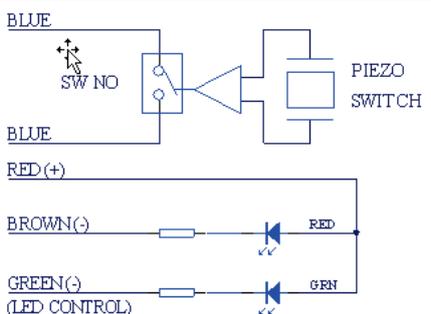
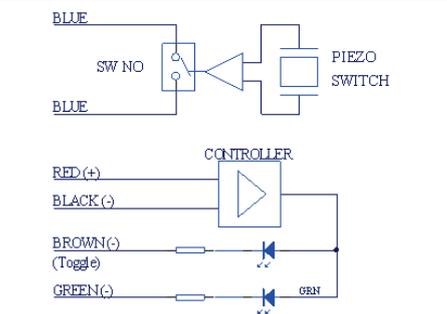
Model	PX-13	PX-23	PX-34
Height	19.5 mm (0.77 in.)		
Diameter	29.5 mm (1.16 in.)		
Standard Thread	22 mm (0.87 in.)		
Standard Wires	24 AWG Wire (UL1007)		
Pigtail Length	280 mm (11.02 in.)		
Weight	22 g (0.78 oz)		
Housing Colors	black, natural, gold, green, red, blue, white		

2.4 Wiring

Model	PX-13	PX-23	PX-34
Switch output	2 x blue		
12 VDC input for LED power supply	N/A*	red	red
Ground	N/A*	N/A	black
LED Control Input – Green LED	N/A*	green	green
LED Control Input – Red LED	N/A*	brown	brown (toggle control)

* It is not required to distinguish the polarity of the wire out.

3. Wiring Diagrams

PX-13 – Piezoelectric Switch	PX-23 – Piezoelectric Switch with LED Indicator	PX-34 – Piezoelectric Toggle Switch with Controlled Light Ring
		

Limited Warranty

ROSSLARE ENTERPRISES LIMITED (ROSSLARE) TWO-YEAR LIMITED WARRANTY is applicable worldwide. This warranty supersedes any other warranty. ROSSLARE'S TWO-YEAR LIMITED WARRANTY is subject to the following conditions:

WARRANTY

Warranty of ROSSLARE'S products extends to the original purchaser (Customer) of the ROSSLARE product and is not transferable.

PRODUCTS COVERED BY THIS WARRANTY AND DURATION

ROSSLARE ENTERPRISES LTD. AND/OR SUBSIDIARIES (ROSSLARE) warrants that the PX-13/23/34 family of piezoelectric switches to be free from defects in materials and assembly in the course of normal use and service. The warranty period commences with the date of shipment to the original purchaser and extends for a period of 2 years (24 months).

WARRANTY REMEDY COVERAGE

In the event of a breach of warranty, ROSSLARE will credit Customer with the price of the Product paid by Customer, provided that the warranty claim is delivered to ROSSLARE by the Customer during the warranty period in accordance with the terms of this warranty. Unless otherwise requested by a ROSSLARE representative, return of the failed product(s) is not immediately required.

If ROSSLARE has not contacted the Customer within a sixty (60) day holding period following the delivery of the warranty claim, Customer will not be required to return the failed product(s). All returned Product(s), as may be requested at ROSSLARE'S sole discretion, shall become the property of ROSSLARE.

To exercise the warranty, the user must contact ROSSLARE Enterprises Ltd. to obtain an RMA number after which, the product must be returned to the Manufacturer freight prepaid and insured.

In the event ROSSLARE chooses to perform a product evaluation within the sixty (60) day holding period and no defect is found, a minimum US\$ 50.00 or equivalent charge will be applied to each Product for labor required in the evaluation.

ROSSLARE will repair or replace, at its discretion, any product that under normal conditions of use and service proves to be defective in material or workmanship. No charge will be applied for labor or parts with respect to defects covered by this warranty, provided that the work is done by ROSSLARE or a ROSSLARE authorized service center.

EXCLUSIONS AND LIMITATIONS

ROSSLARE shall not be responsible or liable for any damage or loss resulting from the operation or performance of any Product or any systems in which a Product is incorporated. This warranty shall not extend to any ancillary equipment not furnished by ROSSLARE, which is attached to or used in conjunction with a Product, nor to any Product that is used with any ancillary equipment, which is not furnished by ROSSLARE.

This warranty does not cover expenses incurred in the transportation, freight cost to the repair center, removal or reinstallation of the product, whether or not proven defective.

Specifically excluded from this warranty are any failures resulting from Customer's improper testing, operation, installation, or damage resulting from use of the Product in other than its normal and customary manner, or any maintenance, modification, alteration, or adjustment or any type of abuse, neglect, accident, misuse, improper operation, normal wear, defects or damage due to lightning or other electrical discharge. This warranty does not cover repair or replacement where normal use has exhausted the life of a part or instrument, or any modification or abuse of, or tampering with, the Product if Product disassembled or repaired in such a manner as to adversely affect performance or prevent adequate inspection and testing to verify any warranty claim.

ROSSLARE does not warrant the installation, maintenance, or service of the Product. Service life of the product is dependent upon the care it receives and the conditions under which it has to operate.

In no event shall ROSSLARE be liable for incidental or consequential damages.

LIMITED WARRANTY TERMS

THIS WARRANTY SETS FORTH THE FULL EXTENT OF ROSSLARE'S WARRANTY.

THE TERMS OF THIS WARRANTY MAY NOT BE VARIED BY ANY PERSON, WHETHER OR NOT PURPORTING TO REPRESENT OR ACT ON BEHALF OF ROSSLARE.

THIS LIMITED WARRANTY IS PROVIDED IN LIEU OF ALL OTHER WARRANTIES. ALL OTHER WARRANTIES EXPRESSED OR IMPLIED, INCLUDING WITHOUT LIMITATION, IMPLIED WARRANTIES OF MERCHANTABILITY AND FITNESS FOR A PARTICULAR PURPOSE, ARE SPECIFICALLY EXCLUDED.

IN NO EVENT SHALL ROSSLARE BE LIABLE FOR DAMAGES IN EXCESS OF THE PURCHASE PRICE OF THE PRODUCT, OR FOR ANY OTHER INCIDENTAL, CONSEQUENTIAL OR SPECIAL DAMAGES, INCLUDING BUT NOT LIMITED TO LOSS OF USE, LOSS OF TIME, COMMERCIAL LOSS, INCONVENIENCE, AND LOSS OF PROFITS, ARISING OUT OF THE INSTALLATION, USE, OR INABILITY TO USE SUCH PRODUCT, TO THE FULLEST EXTENT THAT ANY SUCH LOSS OR DAMAGE MAY BE DISCLAIMED BY LAW.

THIS WARRANTY SHALL BECOME NULL AND VOID IN THE EVENT OF A VIOLATION OF THE PROVISIONS OF THIS LIMITED WARRANTY.

Contact Information

Asia Pacific, Middle East, Africa

Rosslare Enterprises Ltd.
Kowloon Bay, Hong Kong
Tel: +852 2795-5630
Fax: +852 2795-1508
support.apac@rosslaresecurity.com

United States and Canada

Rosslare Security Products, Inc.
Southlake, TX, USA 76092
Toll Free: +1-866-632-1101
Local: +1-817-305-0006
Fax: +1-817-305-0069
support.na@rosslaresecurity.com

Latin America

Rosslare Latin America
Buenos Aires, Argentina 1642
support.la@rosslaresecurity.com

Europe

Rosslare Israel Ltd.
Rosh HaAyin, Israel 48091
Tel: +972 3 938-6838
Fax: +972 3 938-6830
support.eu@rosslaresecurity.com

China

Rosslare Electronics (Shenzhen) Ltd.
Shenzhen, China
Tel: +86 755 8610 6842
Fax: +86 755 8610 6101
support.cn@rosslaresecurity.com

India

Rosslare Electronics India Pvt Ltd.
Tel/Fax: +91 20 40147830
Mobile: +91 9975768824
sales.in@rosslaresecurity.com

www.rosslaresecurity.com



• EN ISO 13485



ROSSLARE
SECURITY PRODUCTS

0706-0960244+02