

EI-V4000 High Sensitivity Digital Walkthrough Metal Detection Gate



Main Features

- ◆ Support multi-language operation interface, 5.7 inch HB LCD with permanent calendar
- ◆ Pure digital signal processing technology, "multi-overlapping coils", 16 logic probe location, stable detecting performance, low false alarm rate and missed rate
- ◆ The first domestic with National A level detecting Standard, high detection sensitivity which can detect "half a Paperclip". Suitable for industrial enterprises, Rail transit system, railways and other places of common security needs
- ◆ With leading the "flying objects" detection technology, strong Anti-interferenceability with high sensitivity
- ◆ With leading the "multi-layer coil overlap" technology, eliminates weak and blind spots of upper and lower parts of the detection area to ensure a consistent sensitivity
- ◆ Strong environmental adaptive ability, according to the environmental interference automatically selects the most frequency, also can be in when used at the same time than manual adjustment working frequency and meet the complex environment use requirement
- ◆ Super high anti-interference capability, 50cm minimum distance between the two gates
- ◆ Good interference resistance towards nearby stable metal and mobile metal, detecting performance will not be affected
- ◆ To identify surrounding environment with Anti-interference detect which the Metal detector stay the best working condition;
- ◆ Accurately two-way count function helps the passenger control
- ◆ The length of triangle with red and green lights indicate the amount of contraband metal objects
- ◆ Strong ability for self diagnosis; running status monitoring; error alarm with sound and light
- ◆ The outer cover is made of high strength material, which has a strong capability of waterproof, fireproof, anticorrosion and shockproof and can be used in any environment

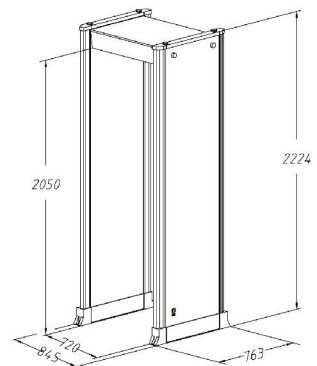
EI-V4000 High Sensitivity Digital Walkthrough Metal Detection Gate

Basic technical data

- ◆ Detection Sensitivity..... A pin can be detected
- ◆ Sensitivity Level..... Adjustable 255 levels sensitivity in each detecting zone; Effective sensitivity more than 255 levels in the whole unit
- ◆ Detecting Zone..... Sliding detecting zone optional , Can set up 4/8 detecting zones
- ◆ Response Speed..... Adjustable Response time: 0.3s, 1s,2s,3s,4s,5s; return to the detection state automatically when alarm over
- ◆ Frequency100 selectable frequency ranges
- ◆ Audio Alarm..... Adjustable 10 audio volume levels; adjustable 10 tone levels
- ◆ Alarm Mode Preset..... No False alarms while metal objects do not reach the Alarm Mode Preset
- ◆ The Size of Contraband alarm..... The length of triangle with red and green lights indicate the amount of contraband metal objects
- ◆ Display Monitor..... 5.7 inch LCD, adjustable LCD backlight from 0-99 seconds
- ◆ Operating System..... Chinese、 English、 Italian、 Spanish、 German、 Japanese、 French
- ◆ Permanent calendar..... Displays year, month, date, hour, minute
- ◆ Operating mode..... 10 user-defined operating modes presetting
- ◆ Operating authorization..... Password protection, authorization using only
- ◆ Number of Passing through..... 120/Mins
- ◆ Counter..... 100% accurate counting on alarming time and pedestrian; Maximum displaying and storage numeric data is 1 million
- ◆ Illumination..... Setting Connect/Unconnected
- ◆ Interference Monitoring..... Automatic Interference Monitoring
- ◆ Anti-interference..... Devices can be placed next to each other within 50mm without interference
- ◆ Shock Protection..... Automatic shock protection function
- ◆ One key recovery..... Quick Reset Factory default
- ◆ Networking..... Connecting to PC , Parameter Settings/Search Functions by Remote Control

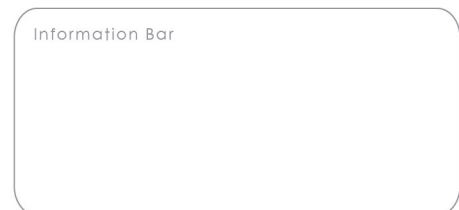
Installation Requirements

- ◆ Power supply.....100-240V AC/50-60Hz Maxim Power Consumption: 30W
- ◆ Operation temperature/humidity.....-20℃-45℃/0-95%(non-condensing)
- ◆ Exterior dimensions2222mm(H)X860mm(W)X701mm(D)
- ◆ Interior dimensions.....2050mm(H)X720mm(W)X701mm(D)
- ◆ WeightApprox 75kg



Safety Standard

- ◆ User-friendly for Cardiac pacemaker / defibrillator wearers, pregnant women and magnetic storage media
- ◆ Meet with national and international standards for electrical safety requirements
- ◆ Meet with national standards and international standards for electromagnetic compatibility requirements



Shanghai Eastimage Equipment Co., Ltd. (Head Office)
 Address: No.111, Zhiye Road, Pudong New District,
 Shanghai, P.R. China
 Postcode: 201200
 E-mail: chinaeastimage@eastimage.com.cn
 Http: //www.eastimage.com.cn